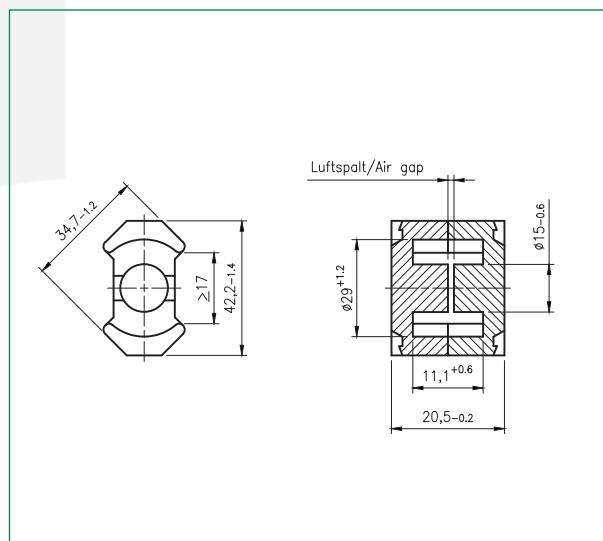


RM-Kern RM 14 - low profile
RM core RM 14 - low profile

Magn. Formkenngrößen/Satz
eff. magn. parameters/set

| | | |
|---|-------------|-----------------------|
| Formfaktor <i>core factor</i> | $C_1 =$ | 0,25 mm ⁻¹ |
| Eff. magn. Weglänge <i>eff. magn. path length</i> | $l_e =$ | 50,9 mm |
| Eff. magn. Querschnitt <i>eff. magn. cross section</i> | $A_e =$ | 201 mm ² |
| Min. magn. Querschnitt <i>min. magn. cross section</i> | $A_{min} =$ | 170 mm ² |
| Eff. magn. Volumen <i>eff. magn. volume</i> | $V_e =$ | 10230 mm ³ |
| Gewicht <i>weight</i> | $G \approx$ | 52 g |



| Werkstoff <i>material</i> | A_L -Wert A_L value nH | Toleranz <i>tolerance</i> | Luftspalt <i>airgap</i> mm | μ_e | Bestellnummer <i>order number</i> |
|------------------------------|----------------------------------|------------------------------|----------------------------------|---------|--------------------------------------|
| K 2001 | 5500 | ± 25% | - | ≈ 1100 | 373 140000 221 |
| K 2006 | 8000 | ± 25% | - | ≈ 1590 | 373 140000 026 |
| K 2008 | 8800 | ± 25% | - | ≈ 1750 | 373 140000 028 |

Bei Anwendung in Leistungsübertragern
for application in power transformers

| Werkstoff <i>material</i> | Messbedingungen <i>test conditions</i> | Verluste/Satz <i>losses/set</i> |
|------------------------------|---|------------------------------------|
| K 2001 | 500kHz, 50mT, 100°C | ≤ 1,7 W |
| K 2006 | 25kHz, 200mT, 100°C | ≤ 1,2 W |
| K 2008 | 100kHz, 200mT, 100°C | ≤ 5,1 W |

All information given without liability. If you require further information about our products, do not hesitate to contact our representatives, or visit our homepage, www.kaschke.de.

Kaschke Components GmbH

Rudolf-Winkel-Straße 6 · 37079 Göttingen · Germany
 Fon +49 (0) 5 51-50 58-6 · Fax +49 (0) 5 51-65 75 6
kaschke.de