

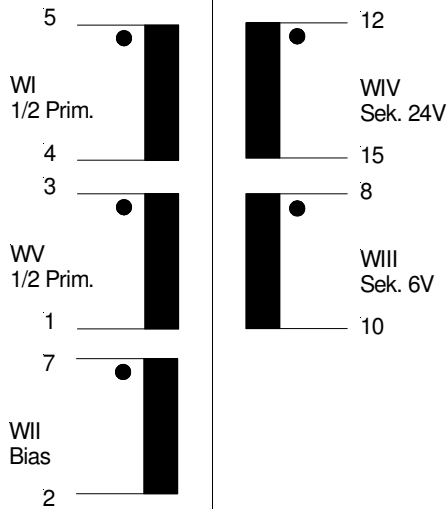
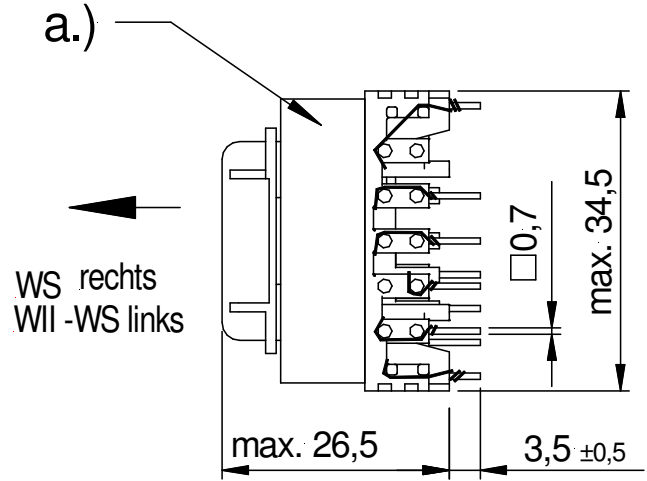
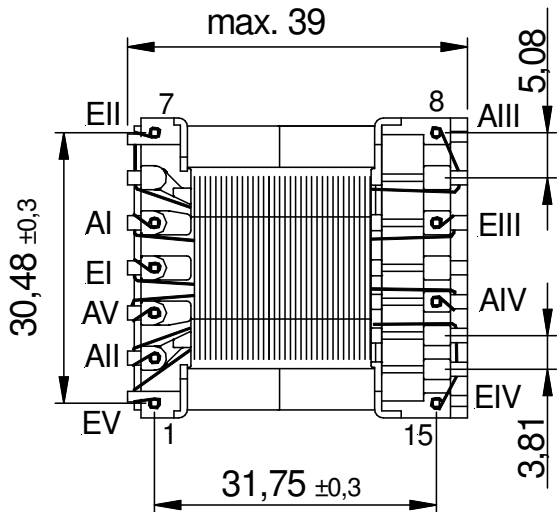
Technical Data Sheet

Customer :
Kaschke Components GmbH

Part designation :
E32/9

Customer part number :
SKFLB-24-6-70

ZN2329-1



Core / material / air gap	E 32/9 / K2008 or equiv. / 0,25
Nominal inductance	LI+LV=281µH±10%
Ratio of transformation	14:4:2:6:14
Dielectric strength (50Hz/1s)	WI/WII/WV - WIII/WIV = 4k Veff
Maximum transmission power	70W
Working frequency	132kHz
Operating temperature	-25°C - +125°C
Storage temperature	-25°C - +85°C

a.) imprint

Measuring device of L: WK 3260A			Measuring conditions of L: 50mV/10kHz/25°C			
Measurement	Unit	No. 1	No. 2	No. 3	No. 4	No. 5

Kaschke Components GmbH Göttingen	Person responsible : Häpe	Date: 19.06.2013	Design regulation no.: 149951-a
------------------------------------------	-------------------------------------	----------------------------	-------------------------------------------

Please give us your written release and certified herewith the confirmation of the validation in the application !!!

Date	Signature
------	-----------