

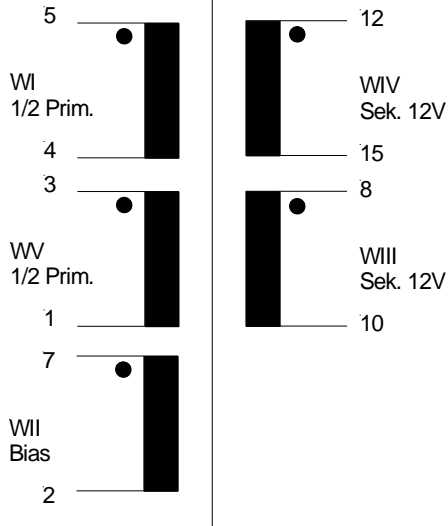
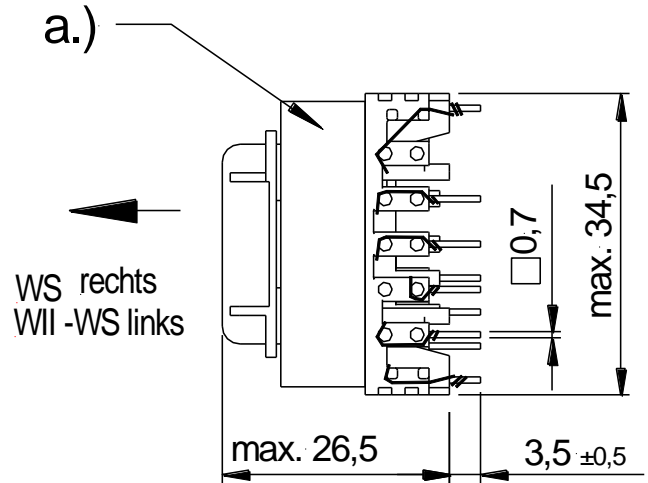
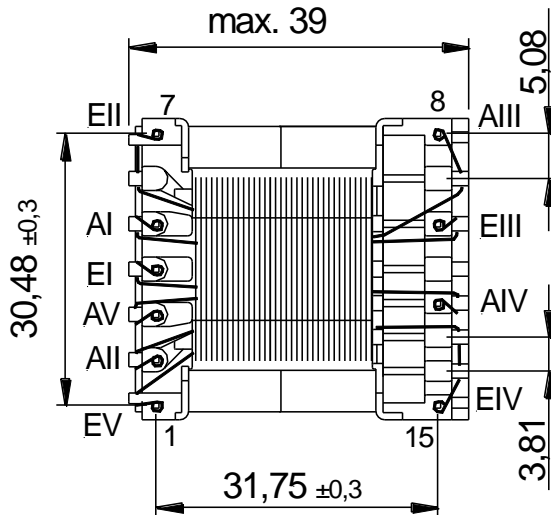
Technical Data Sheet

Customer :
Kaschke Components GmbH

Part designation :
SP-E 32/9

Customer part number :
SKFLB-12-12-70

ZN2329-1



| | |
|-------------------------------|---------------------------------|
| Core / material / air gap | E 32/9 / K2008 or equiv. / 0,25 |
| Nominal inductance | LI+LV=281µH±10% |
| Ratio of transformation | 14:4:3:3:14 |
| Dielectric strength (50Hz/1s) | WI/WII/WV - WIII/WIV = 4k Veff |
| Maximum transmission power | 70W |
| Working frequency | 132kHz |
| Design according to standard | EN 61558 |
| Operating temperature | -25°C - +125°C |
| Storage temperature | -25°C - +85°C |

a.) Kaschke
149950 KW/Jahr
VDE-REG.-Nr.874

Measuring device of L: WK 3260A

Measuring conditions of L: 50mV/10kHz/25°C

| Measurement | Unit | No. 1 | No. 2 | No. 3 | No. 4 | No. 5 |
|-------------|------|-------|-------|-------|-------|-------|
| | | | | | | |
| | | | | | | |
| | | | | | | |
| | | | | | | |
| | | | | | | |
| | | | | | | |
| | | | | | | |
| | | | | | | |

Kaschke Components GmbH
Göttingen

Person responsible :

Häpe

Date:

02.03.2016

Design regulation no.:

149950-000

Please give us your written release and certified herewith the confirmation of the validation in the application !!!

Date

Signature